

341.24.335
341.24.435
341.24.735

A

4x **B**

+

4x **C**
Ø 4,0 mm

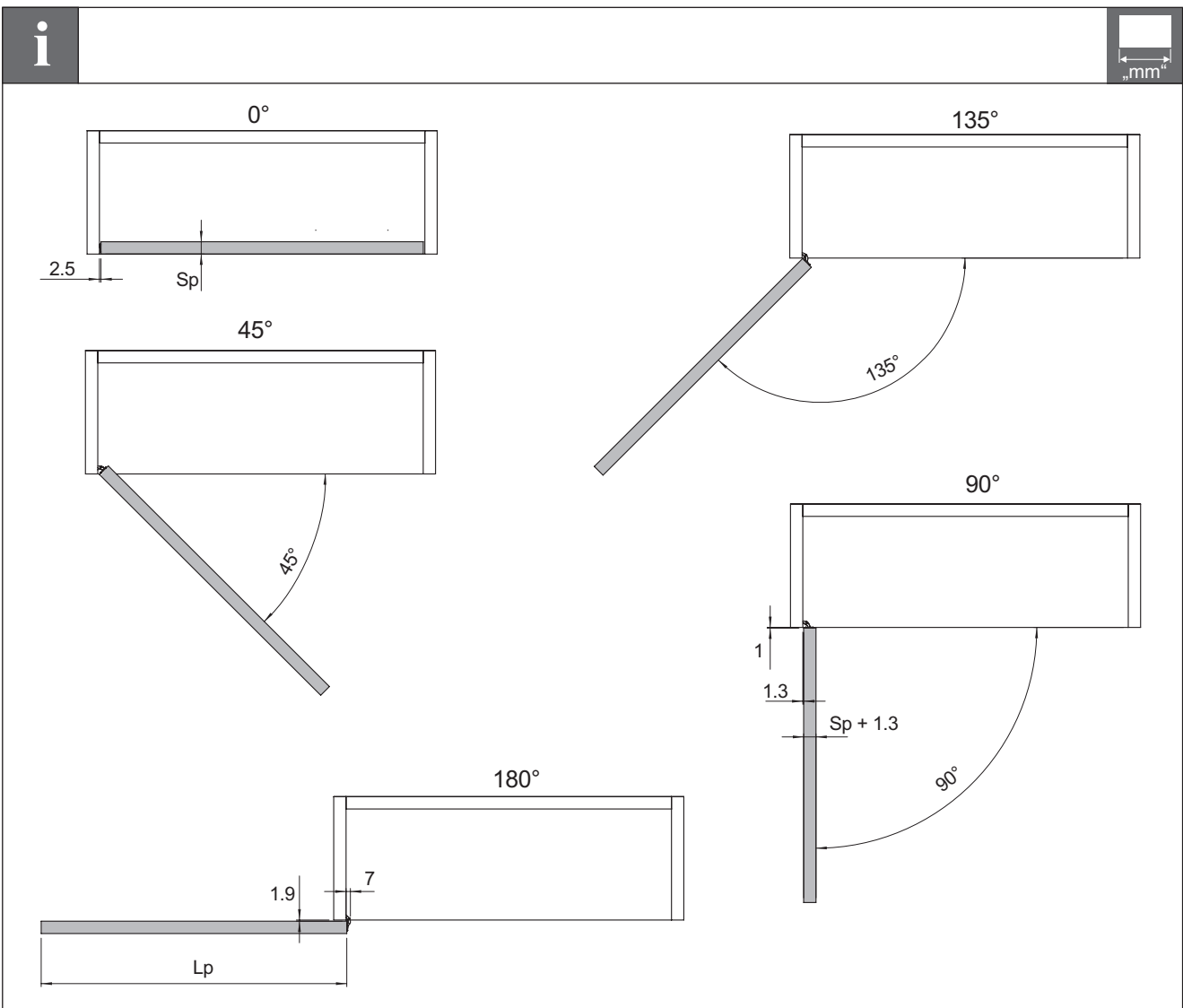
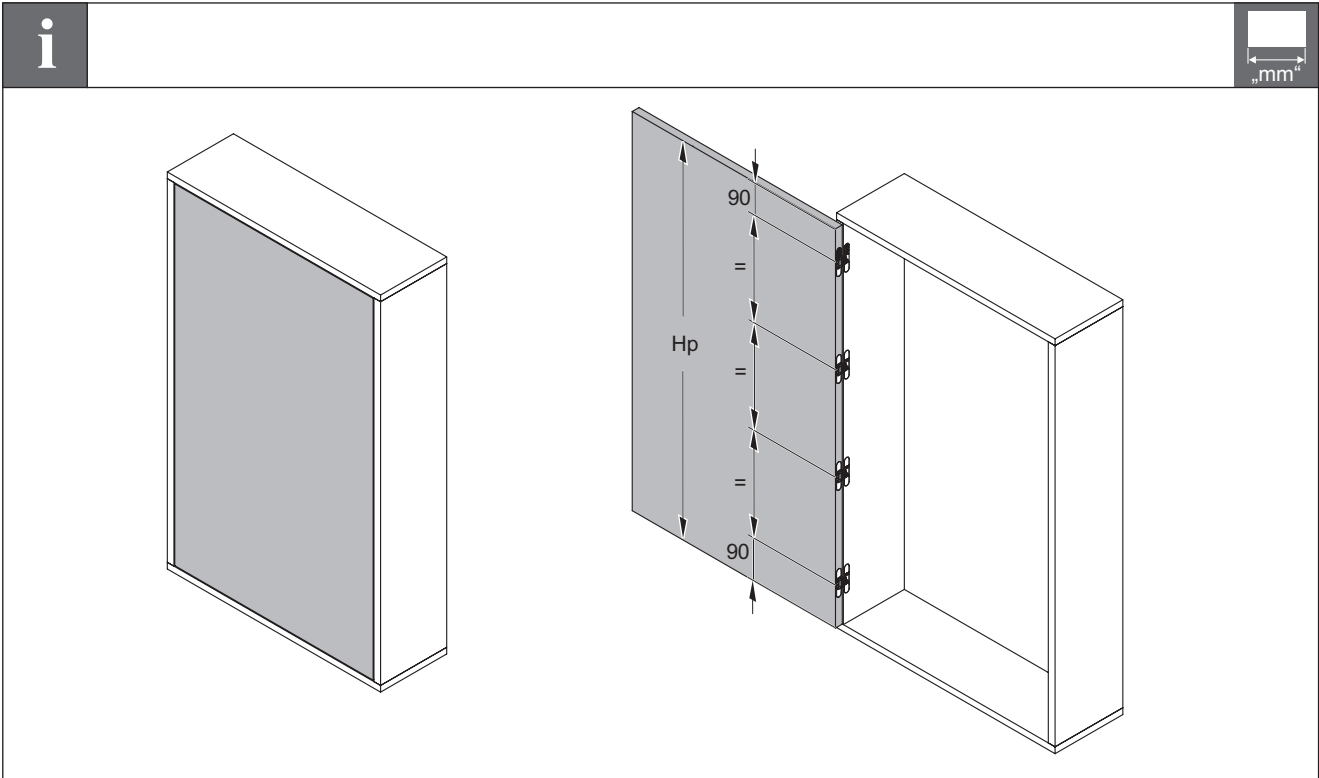
732.23.348

i
mm

A

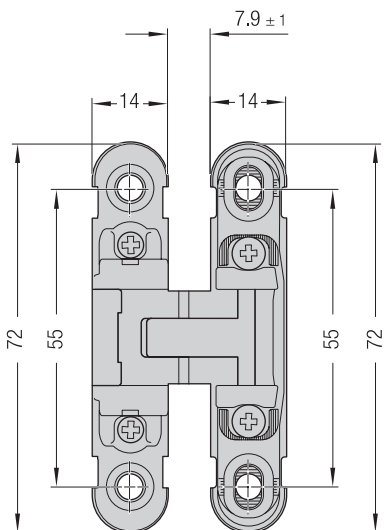
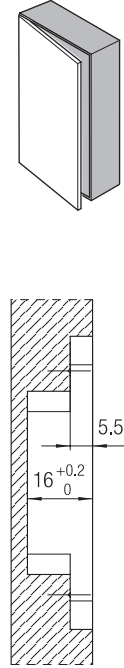
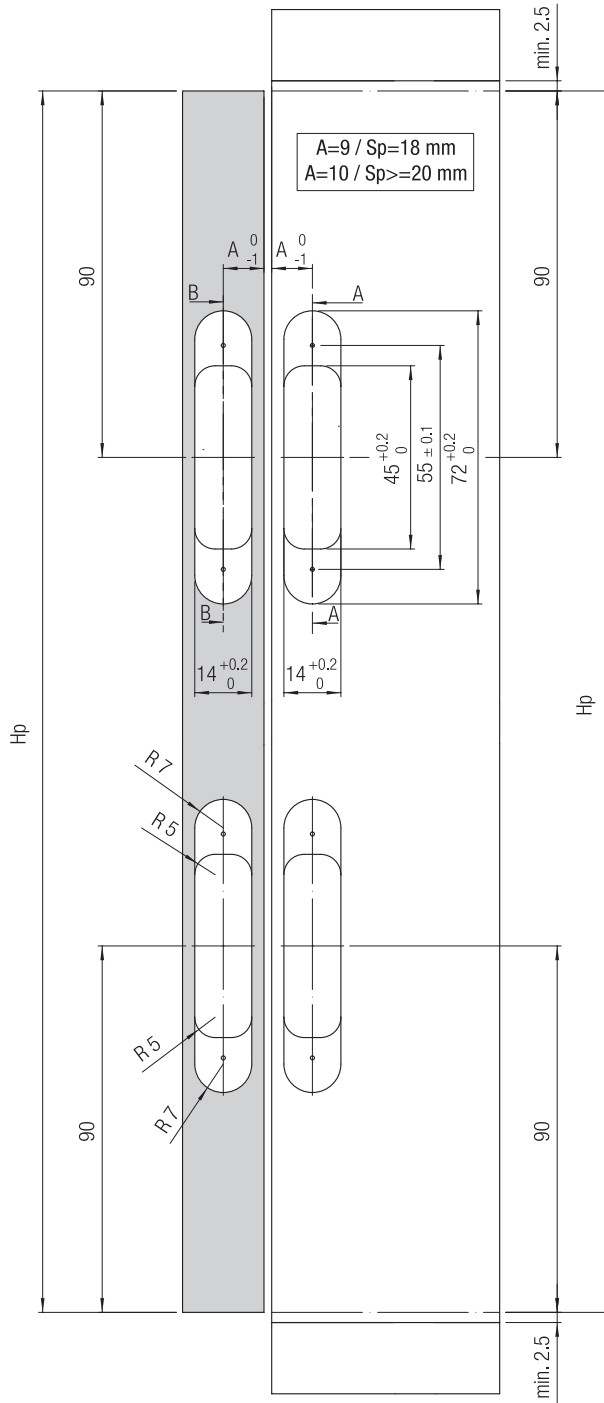
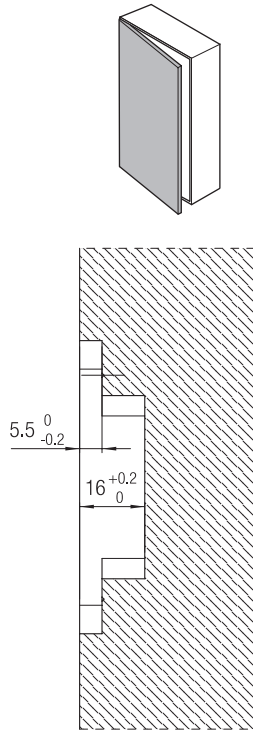
Hp: 0 - 1000	Lp: = 600 Sp: = 20	≤10,5	2x
Hp: 1000 - 1500		10,5-14	3x
Hp: 1500 - 2000		14-19	4x

HDE 10.05.2022



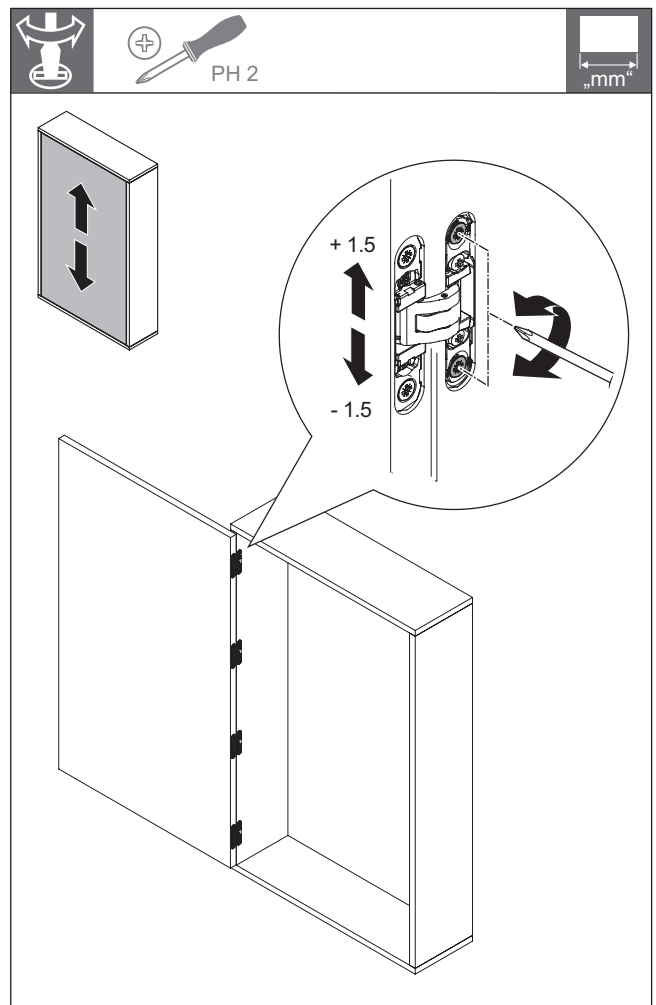
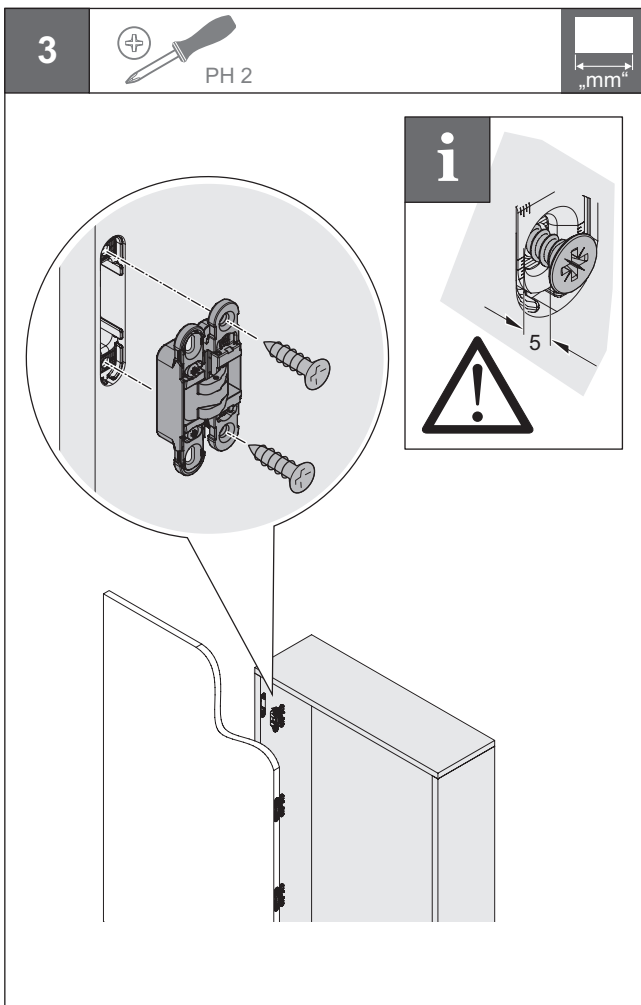
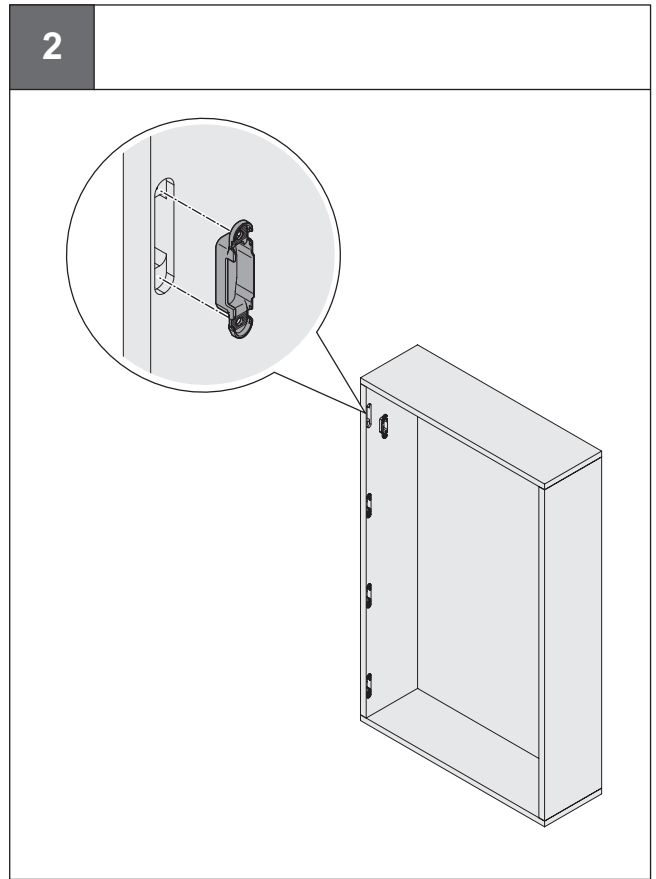
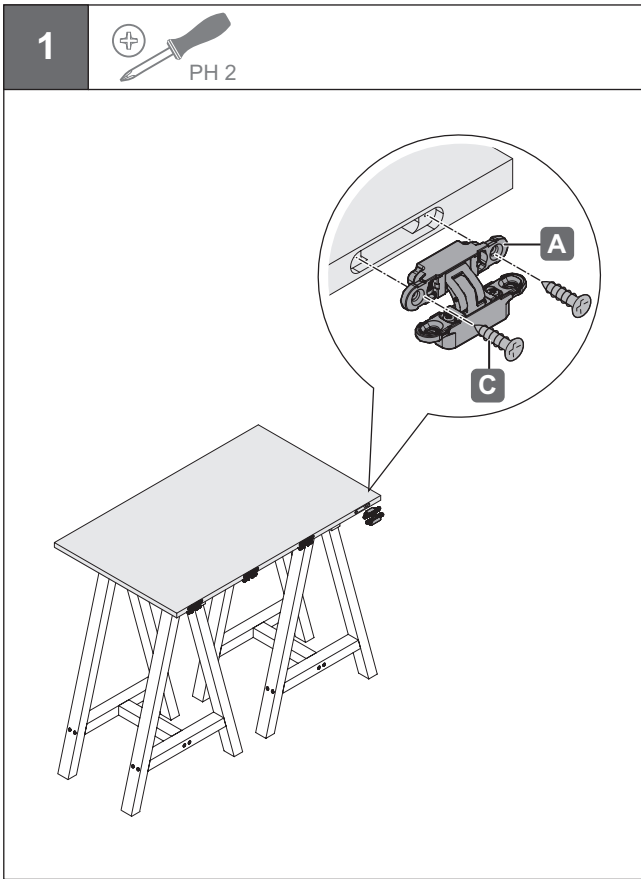
732.23.348

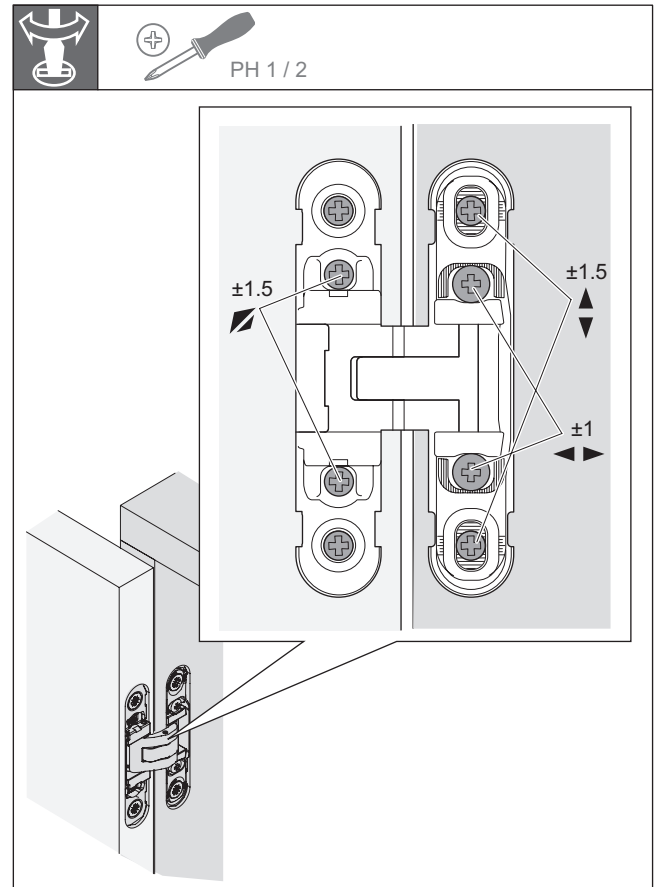
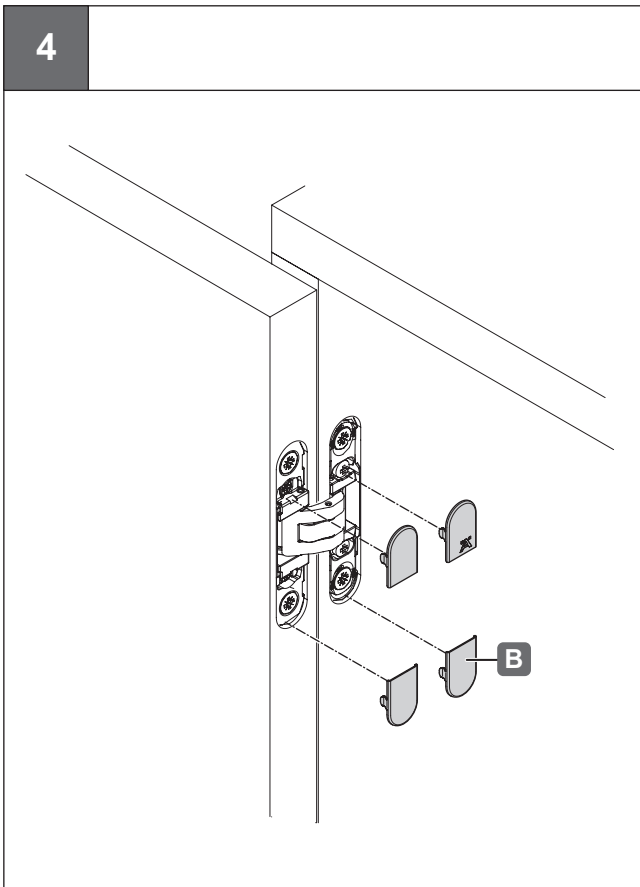
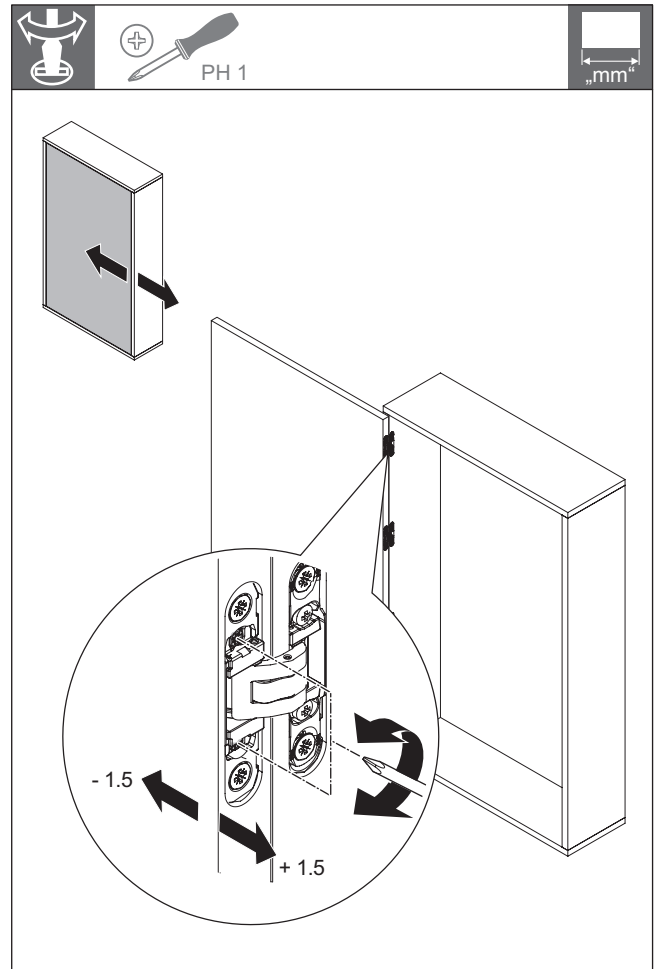
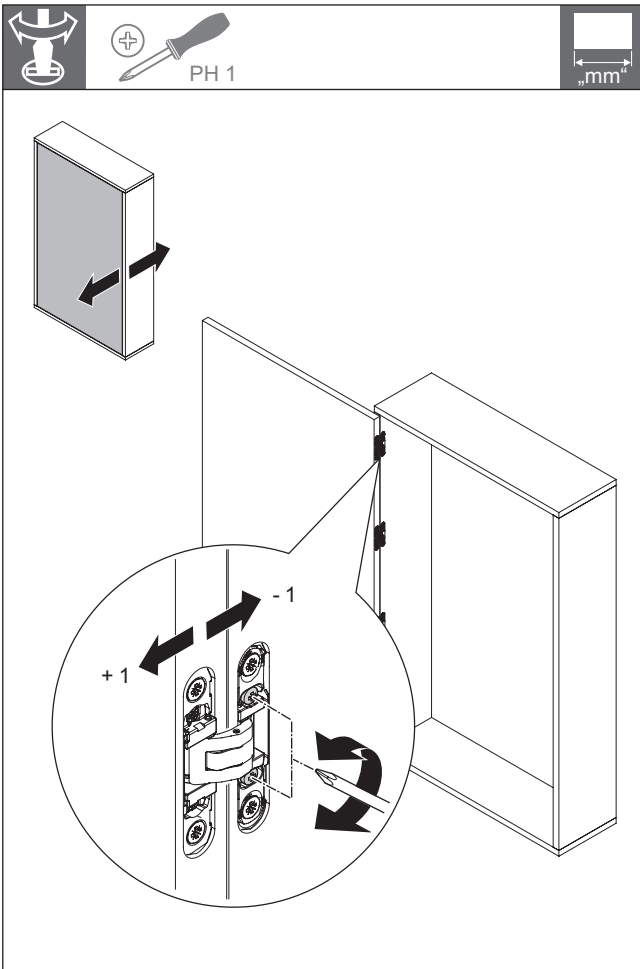
HDE 10.05.2022



732.23.348

HDE 10.05.2022





732.23.348

HDE 10.05.2022

