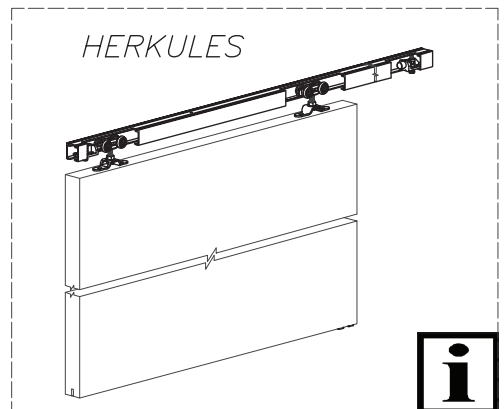
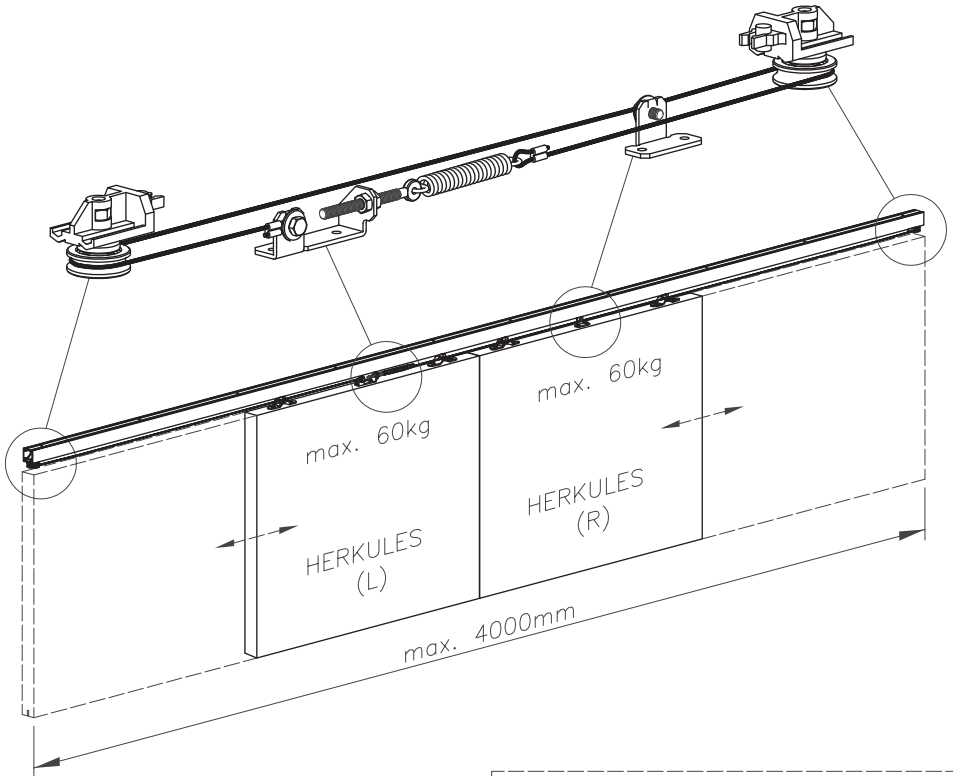
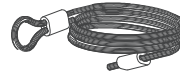
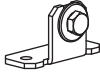


# Symetric

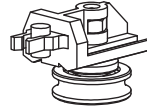




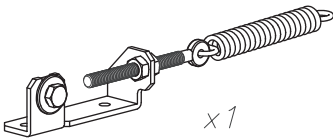
x1



x1



x2

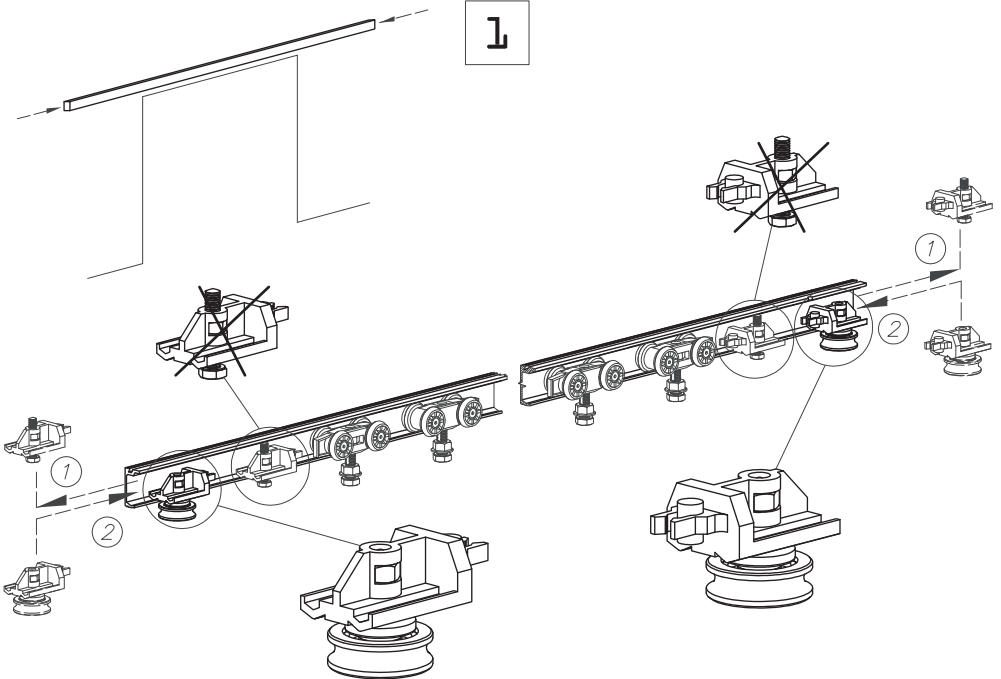


x1



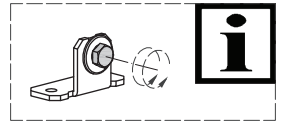
Ø4x16  
x4

1

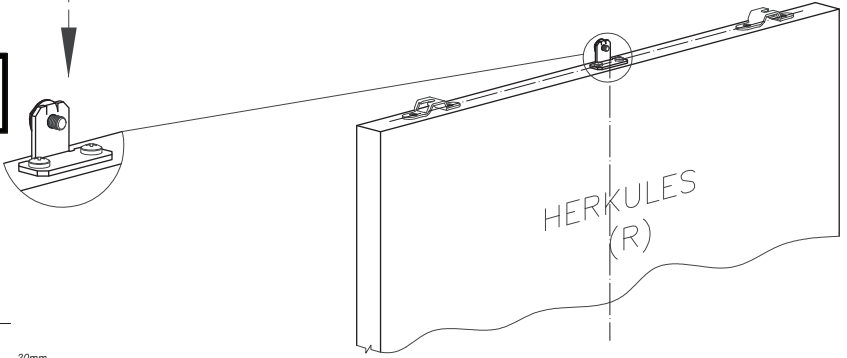
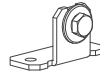
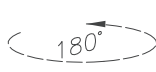
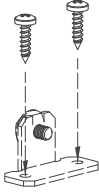




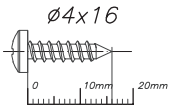
2



2x  $\varnothing 4 \times 16$



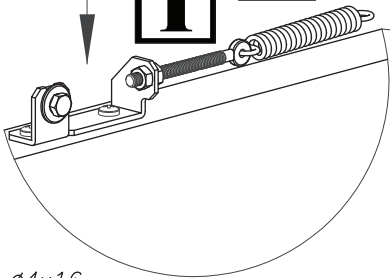
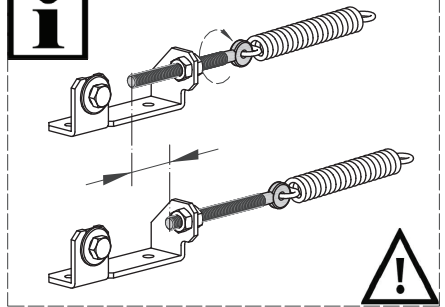
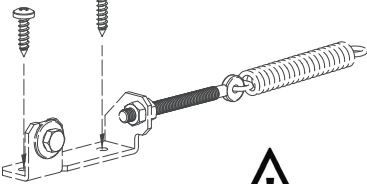
HERKULES (R)



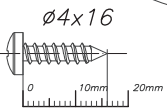
3



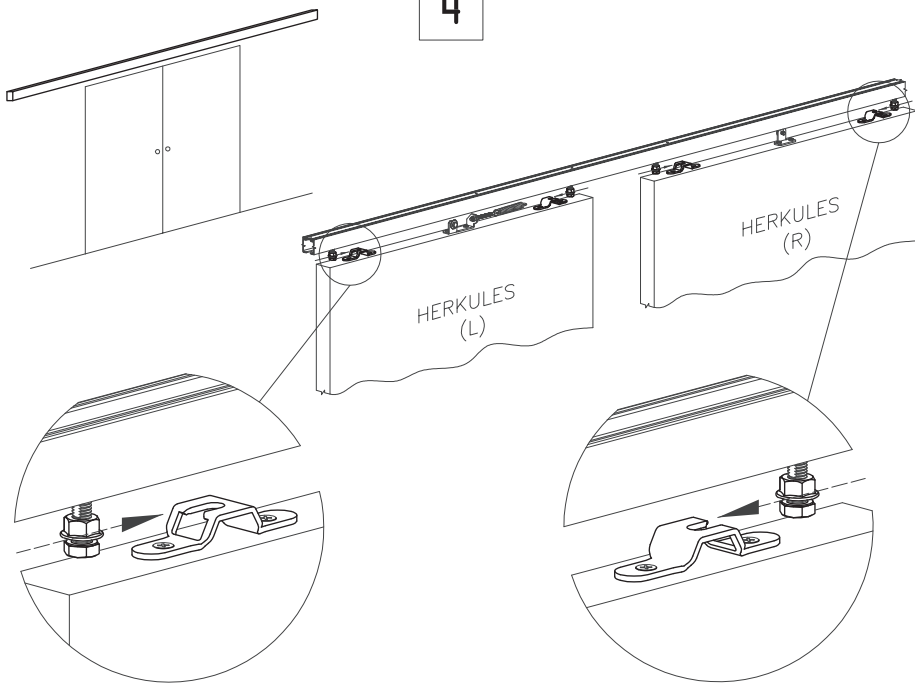
2x  $\varnothing 4 \times 16$



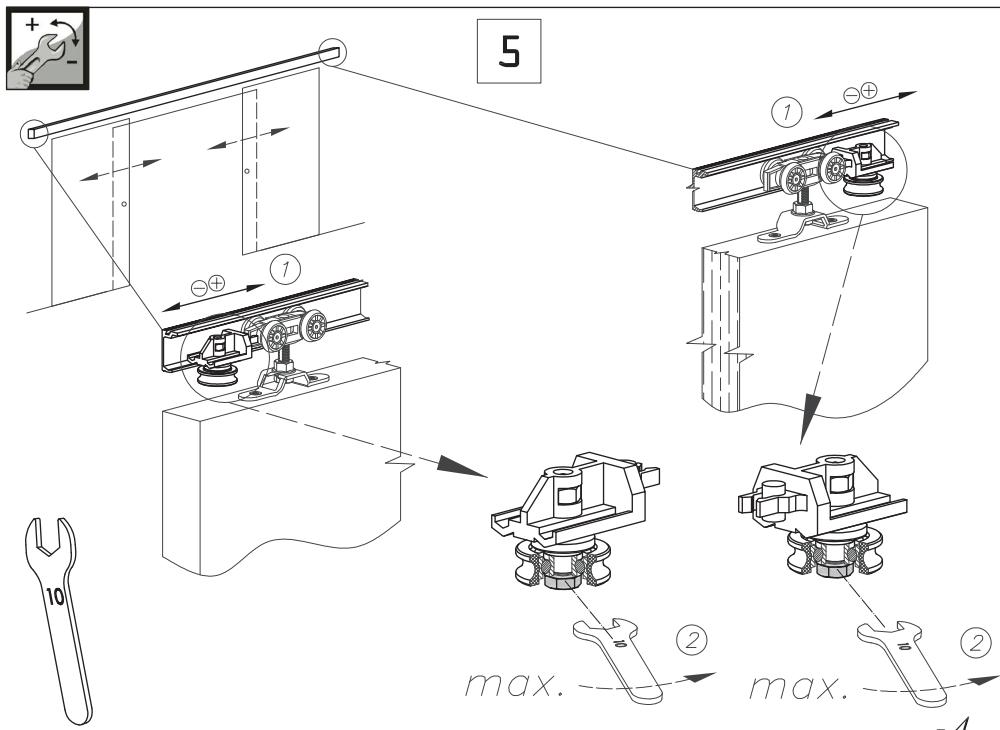
HERKULES (L)

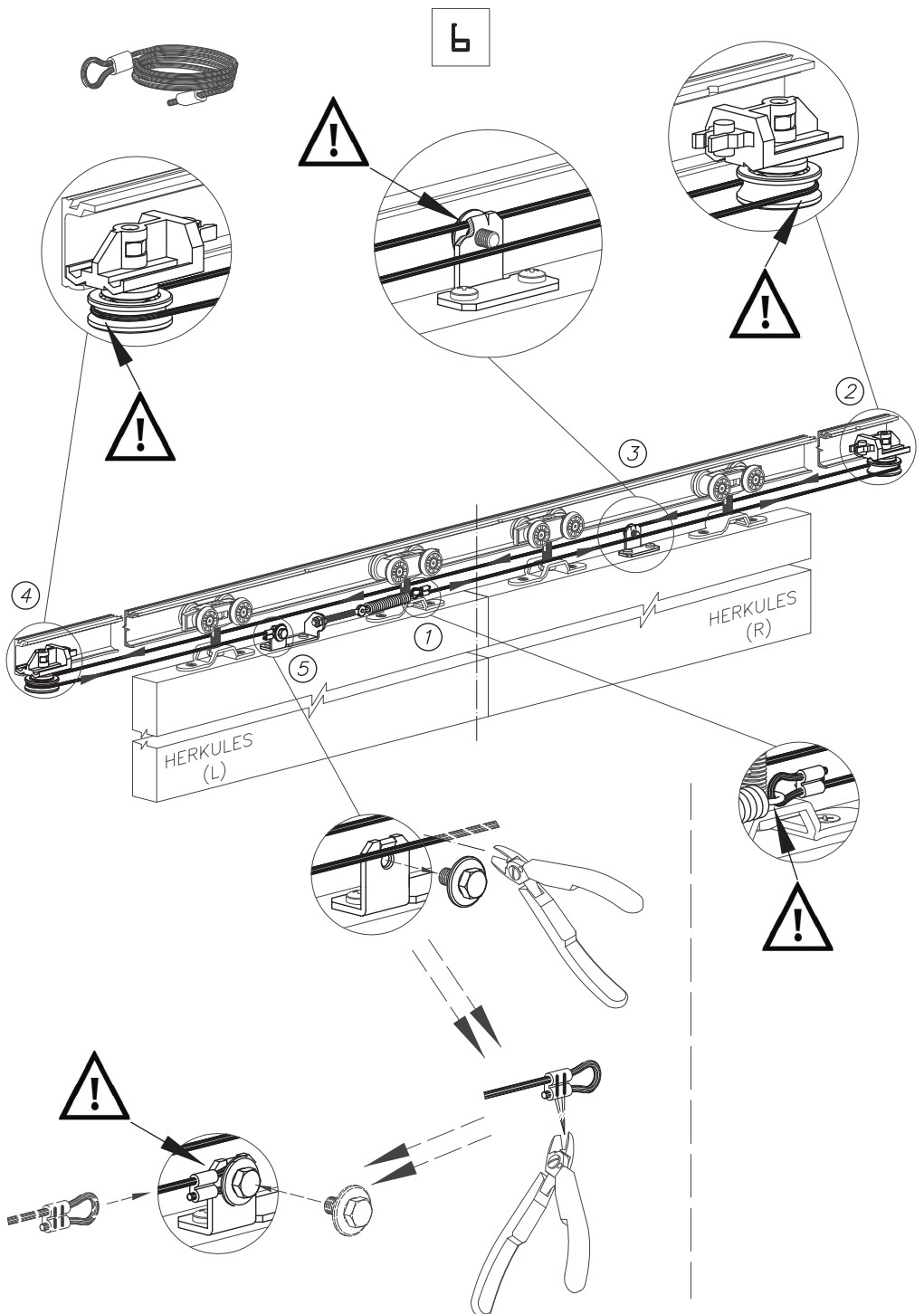


4



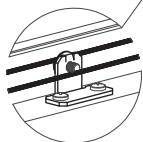
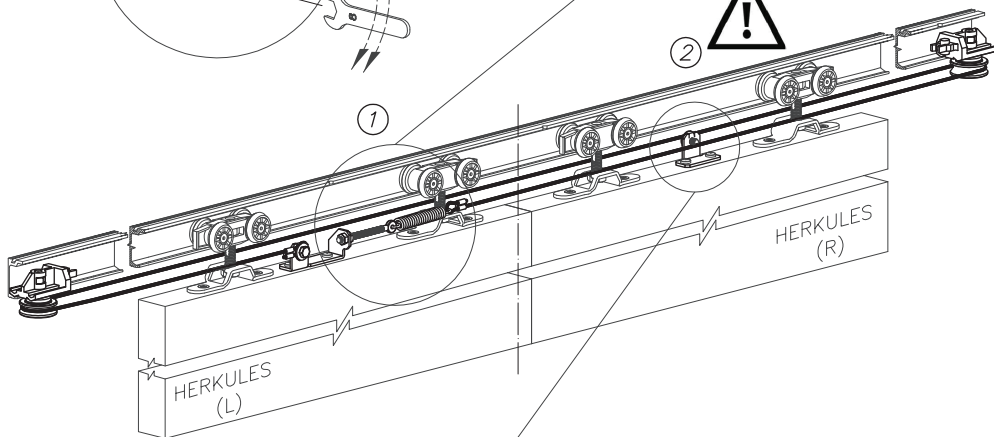
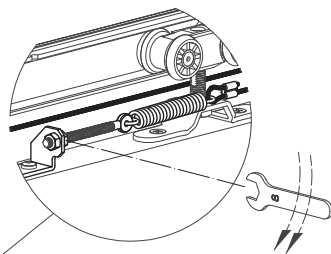
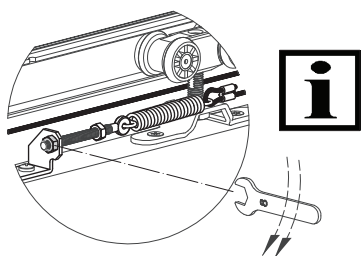
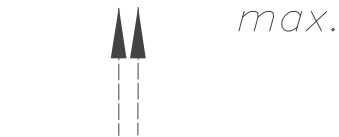
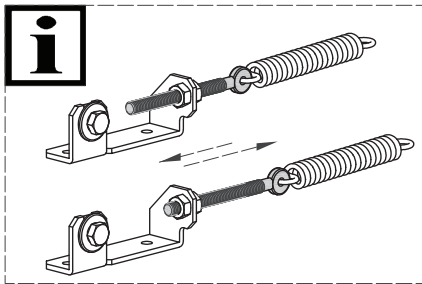
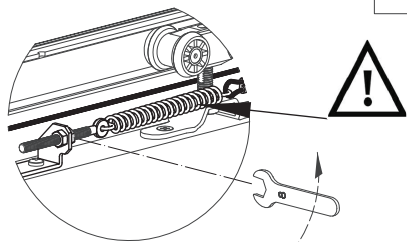
5



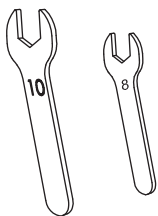
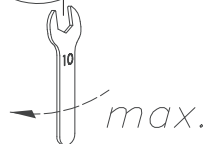
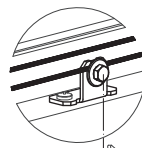




7



180°



# OPTIONS



*INSTR.  
SILENT-STOP  
HERKULES*

