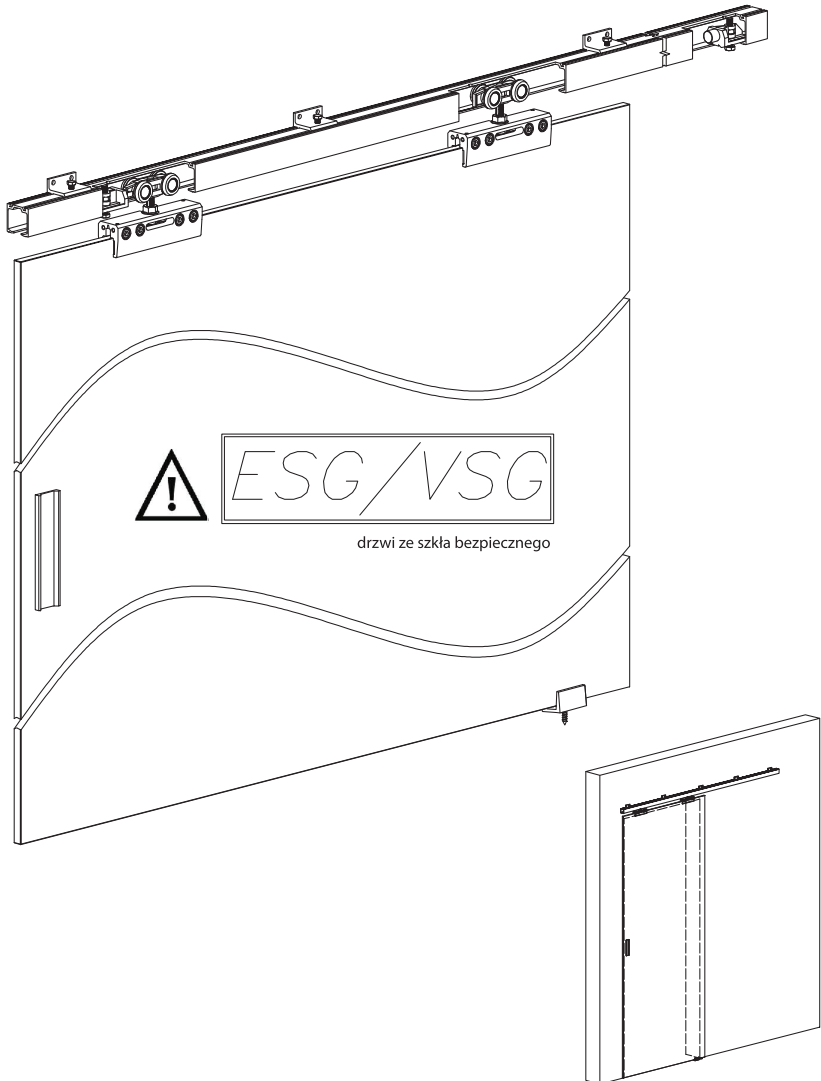
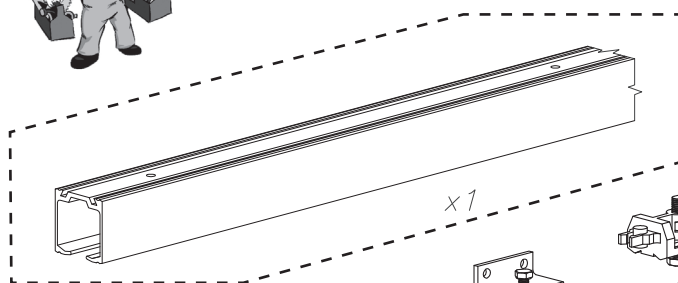
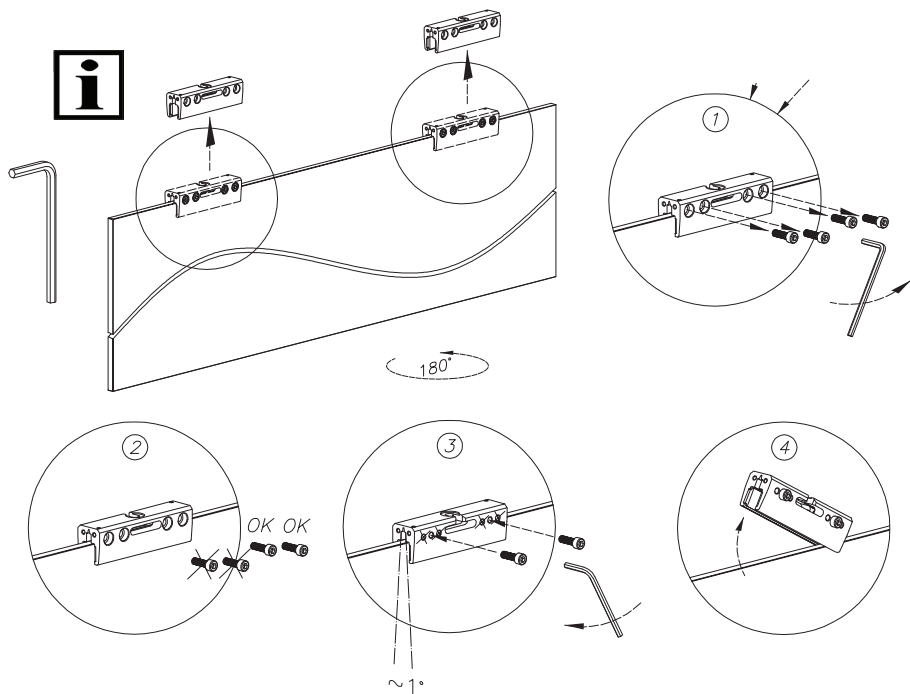
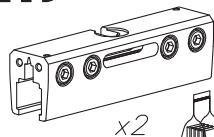


Herkules *Glas*





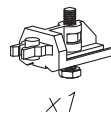
x1



x2



x5



x1



x1



x2



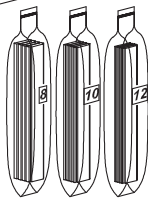
x2



x1



x2



x1

x1

x1



Ø4x30
x10



Ø8x32
x10



Ø4x16
x1

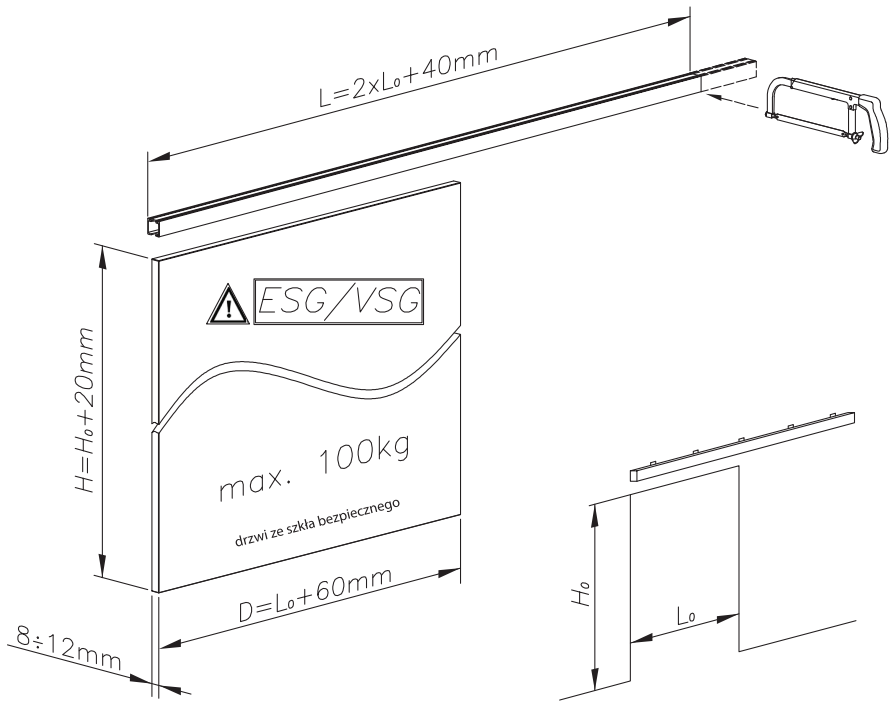


Ø6x30
x1

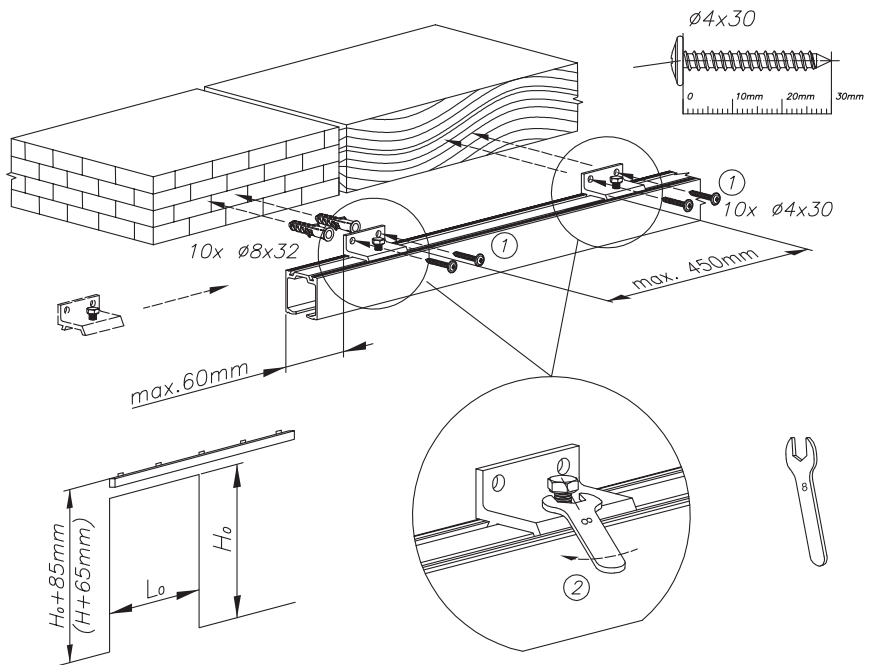


Ø3,5x35
x1

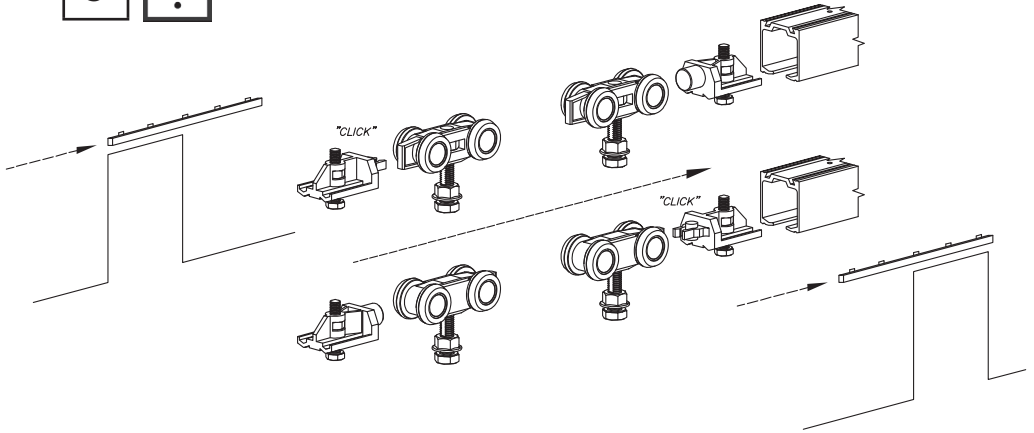
1



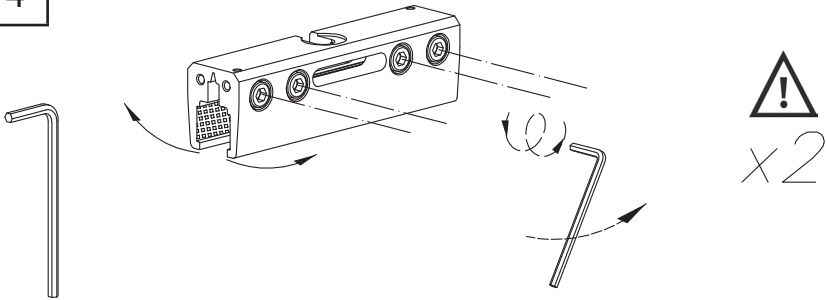
2



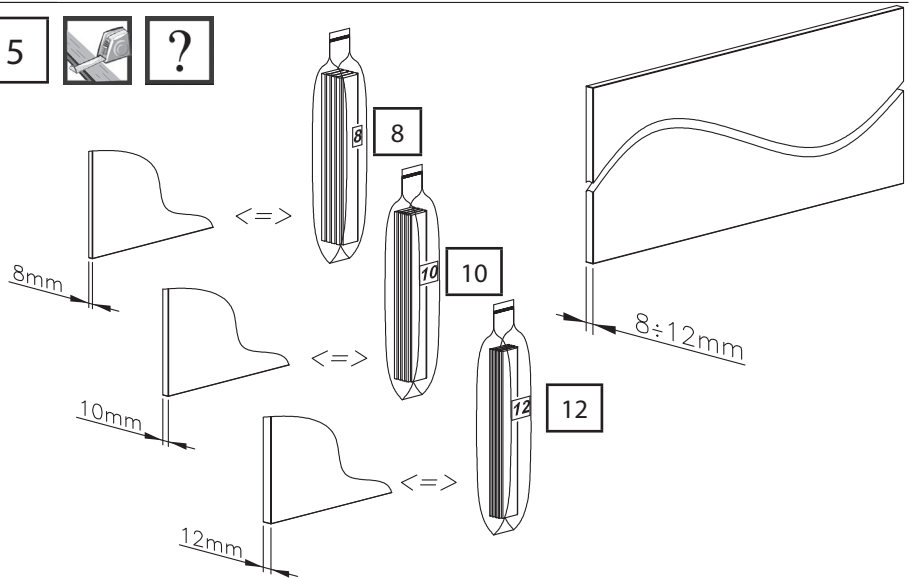
3 ?



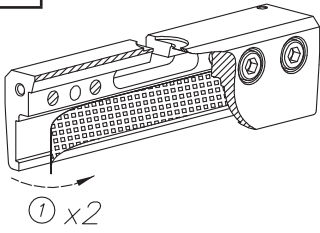
4



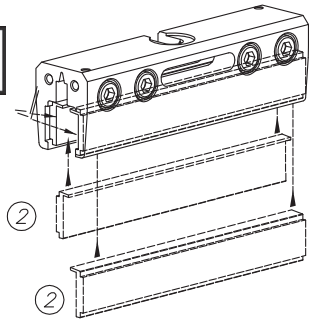
5 ?



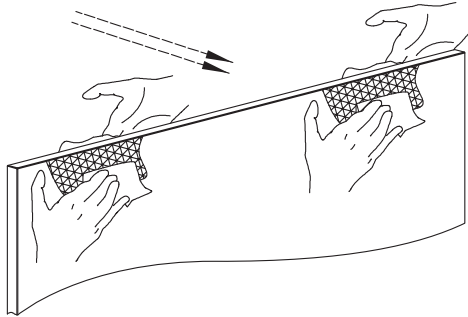
6



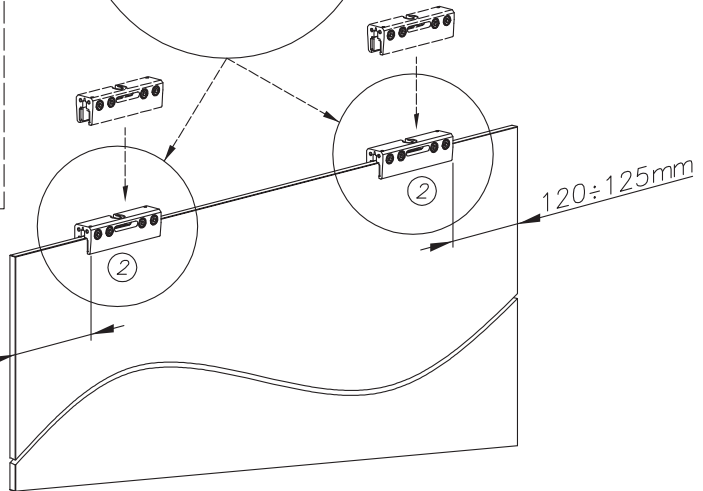
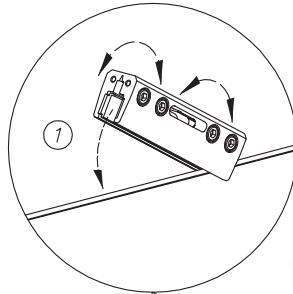
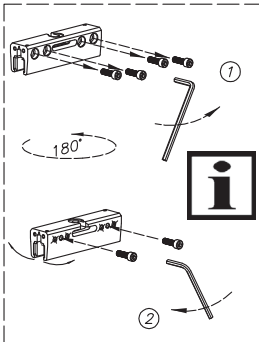
! x2



7



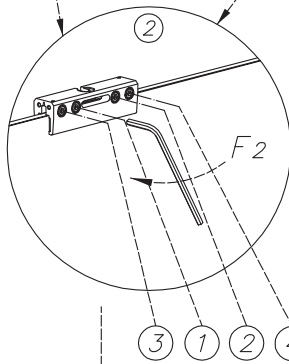
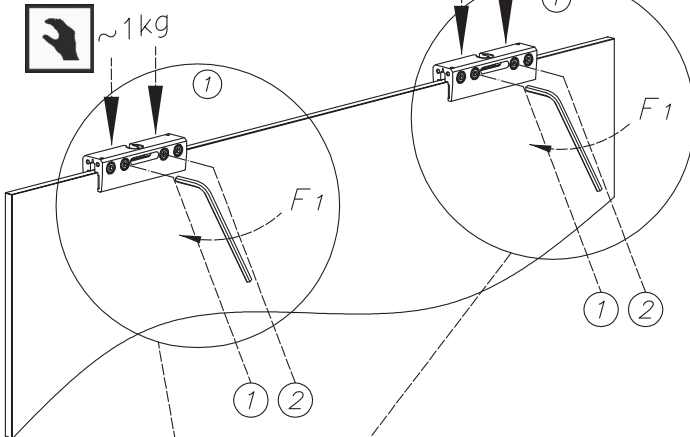
8



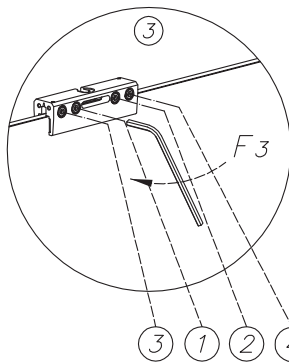
9



~1kg



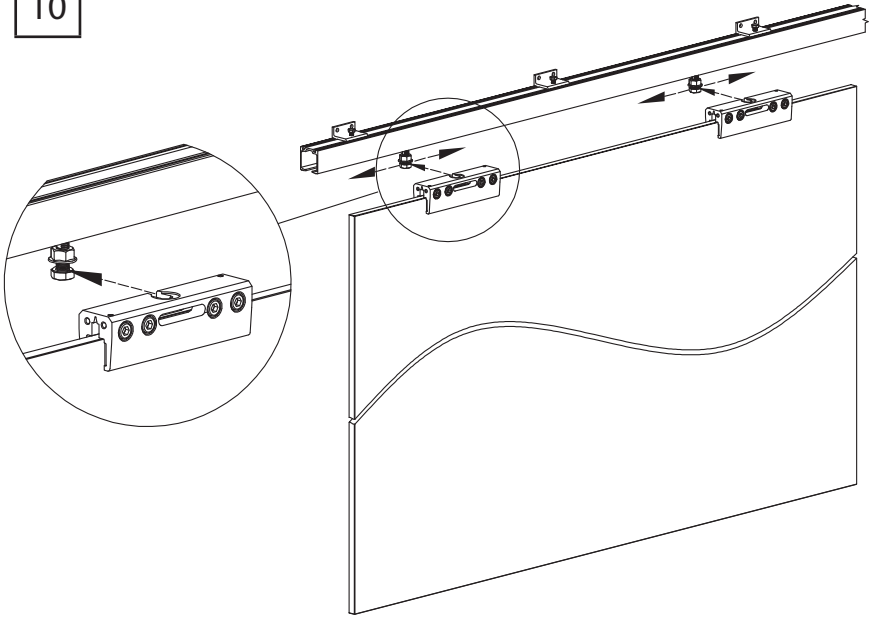
$F_2 > F_1$



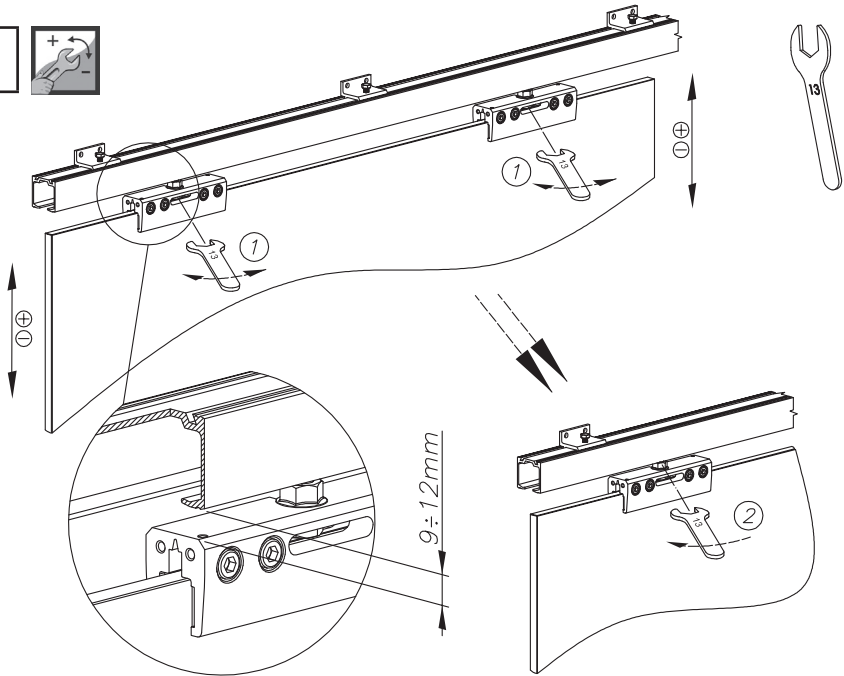
$F_3 = 26Nm$



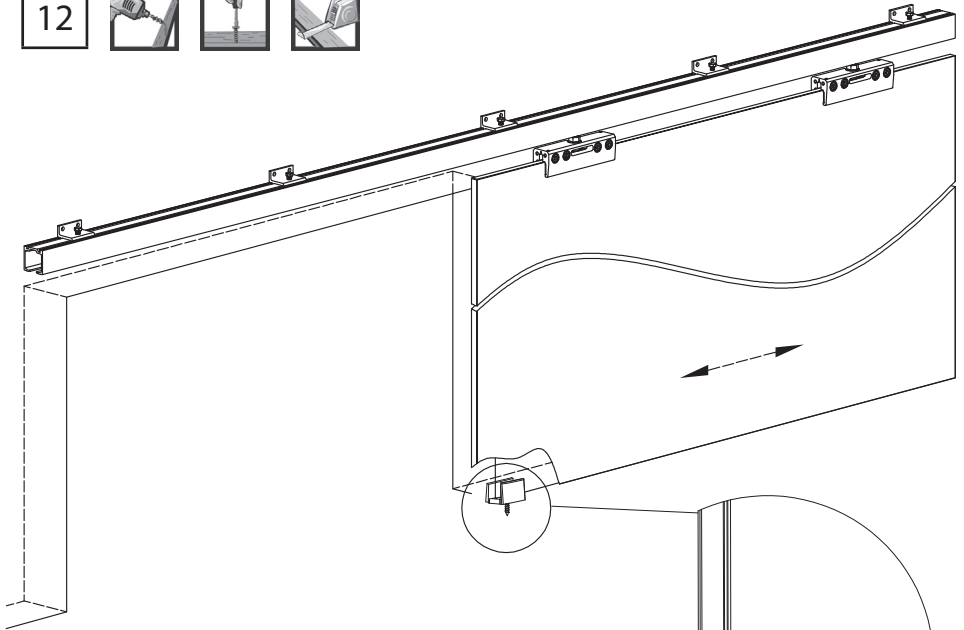
10



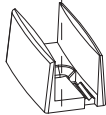
11



12



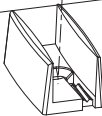
$\varnothing 3,5 \times 35$



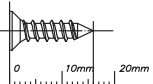
$\varnothing 6 \times 30$



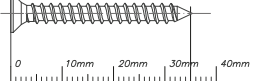
$\varnothing 4 \times 16$

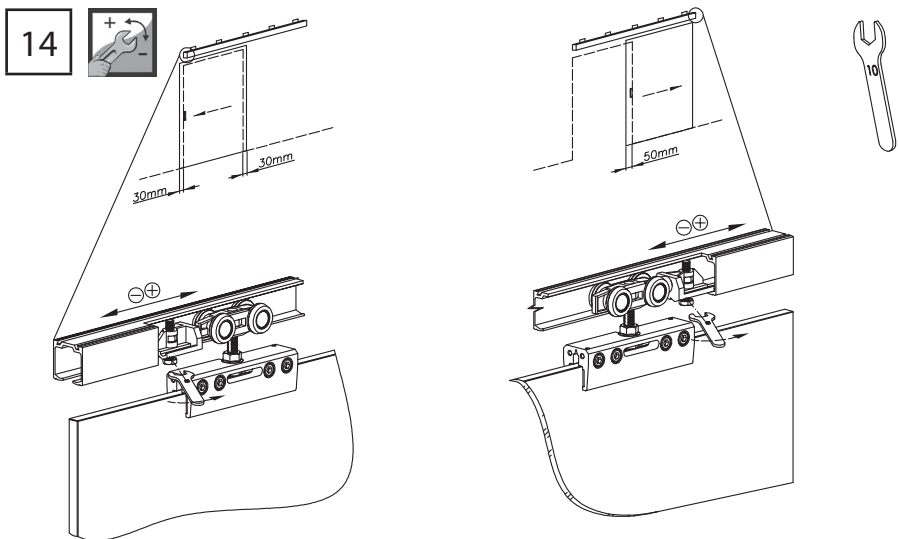
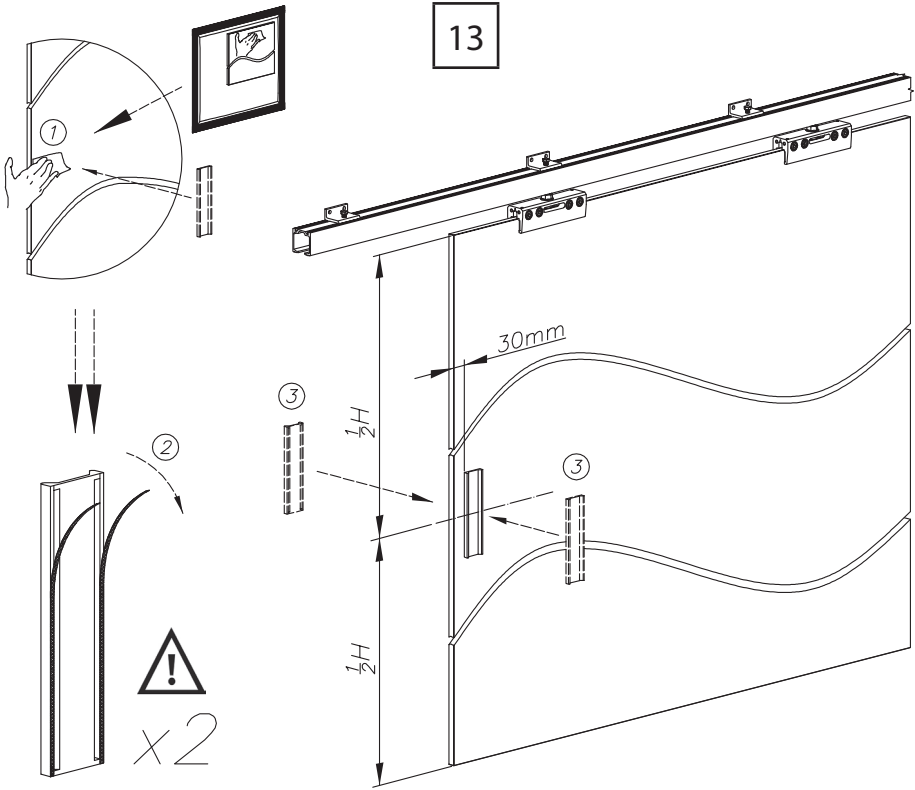


$\varnothing 4 \times 16$

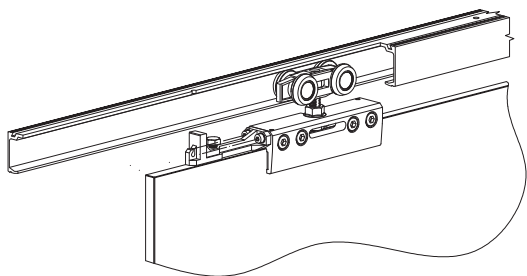
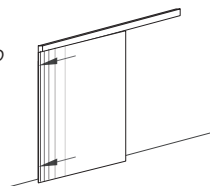
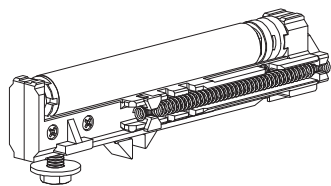


$\varnothing 3,5 \times 35$





1 options SILENT-STOP



2 options

